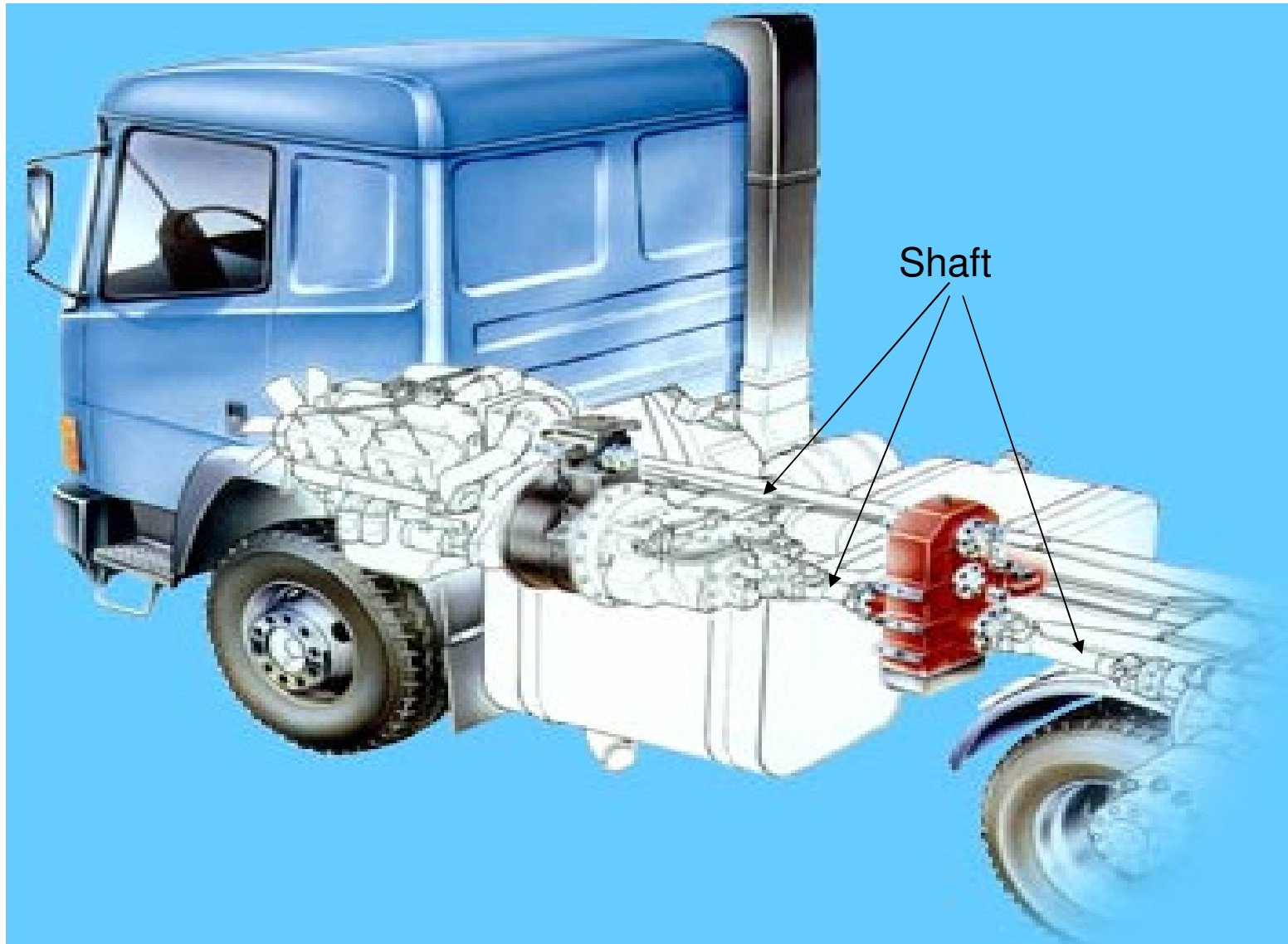
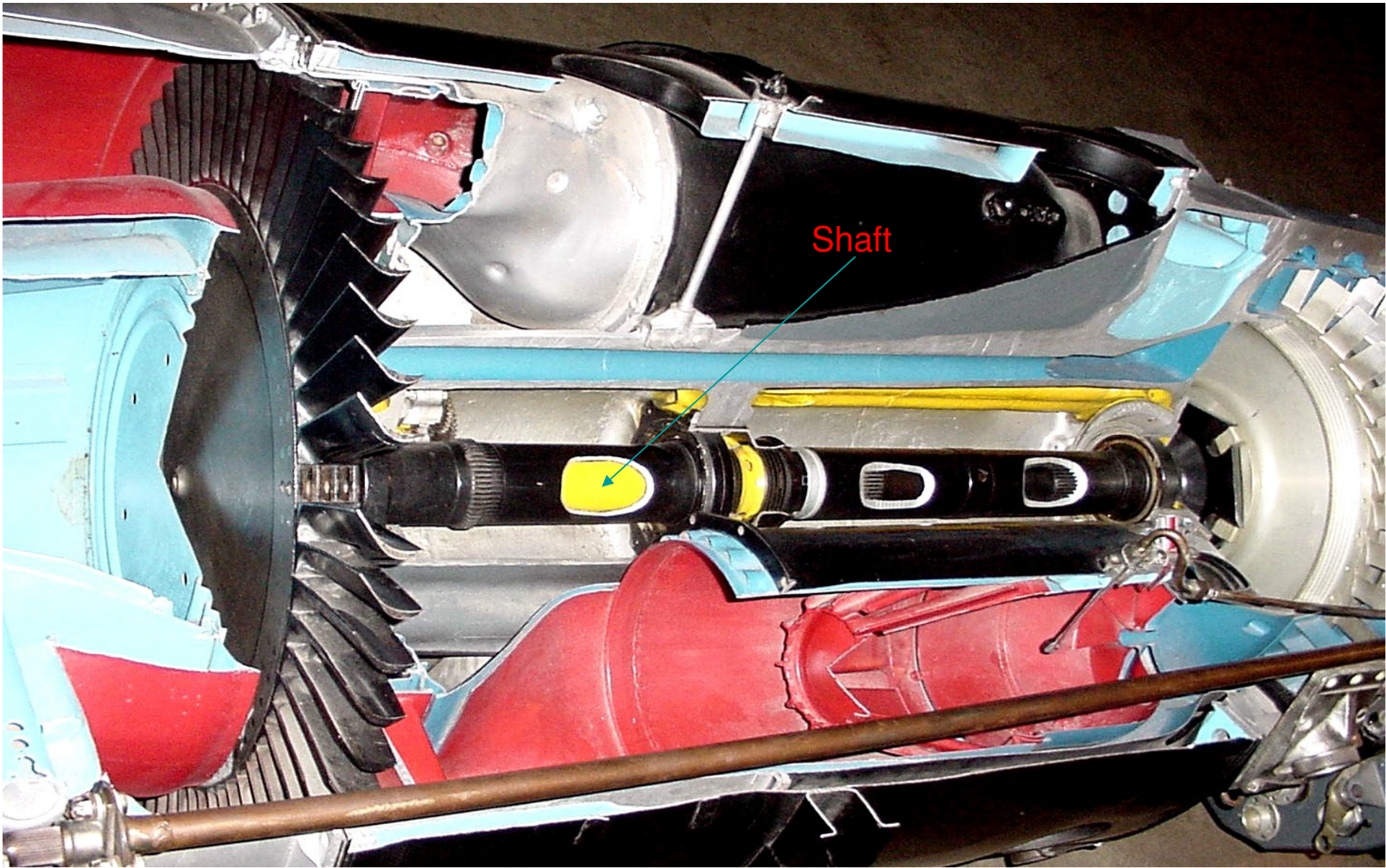
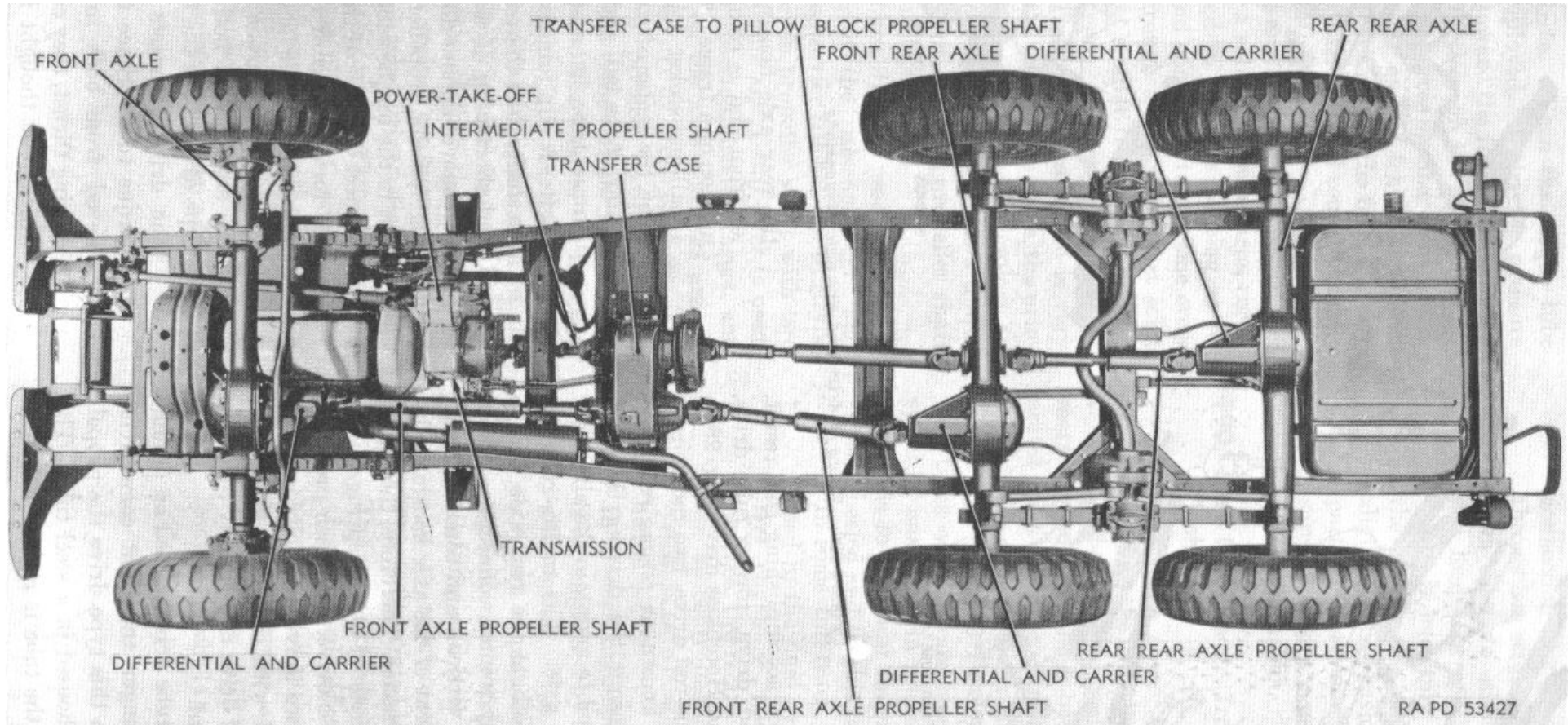
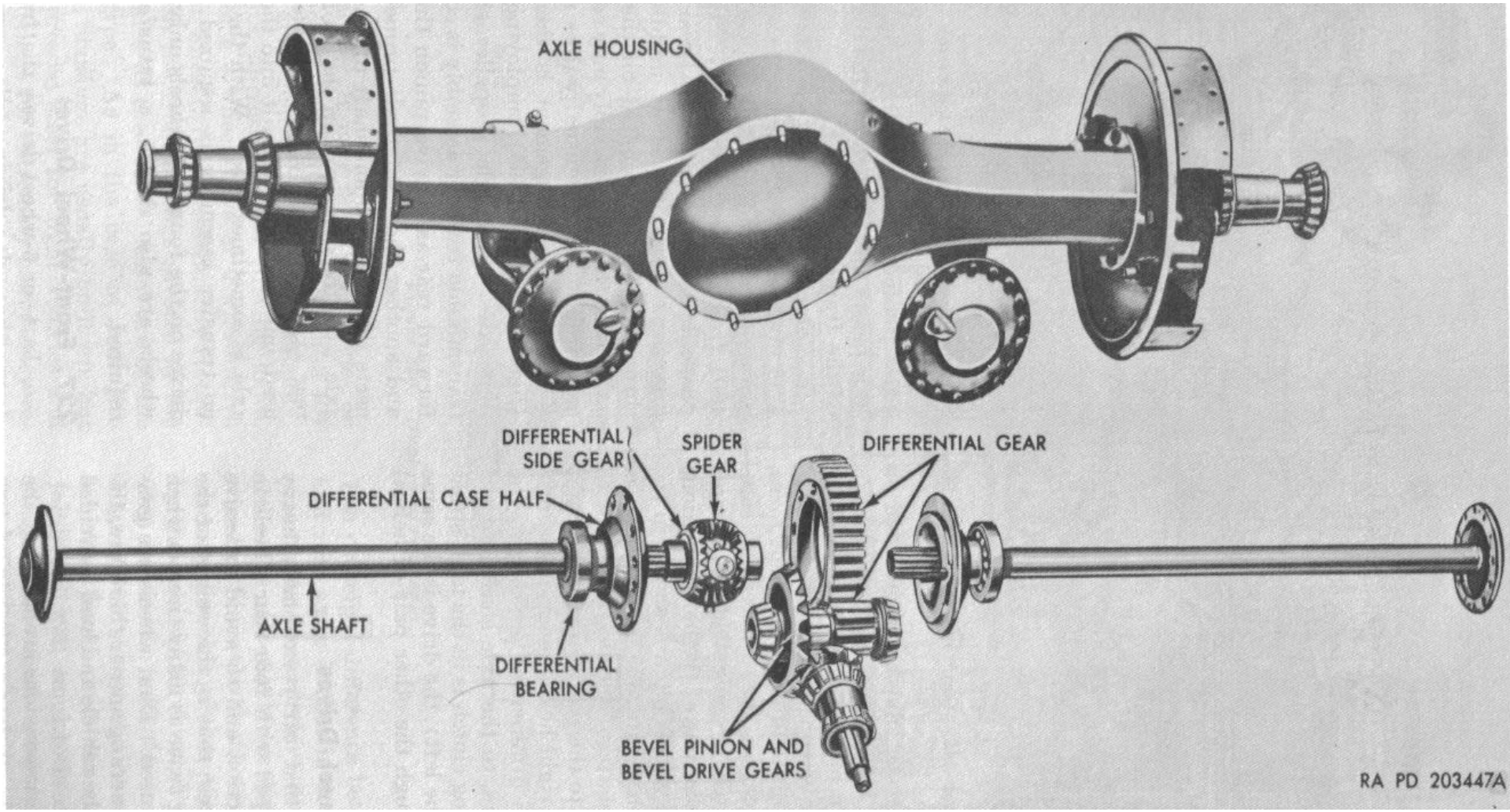


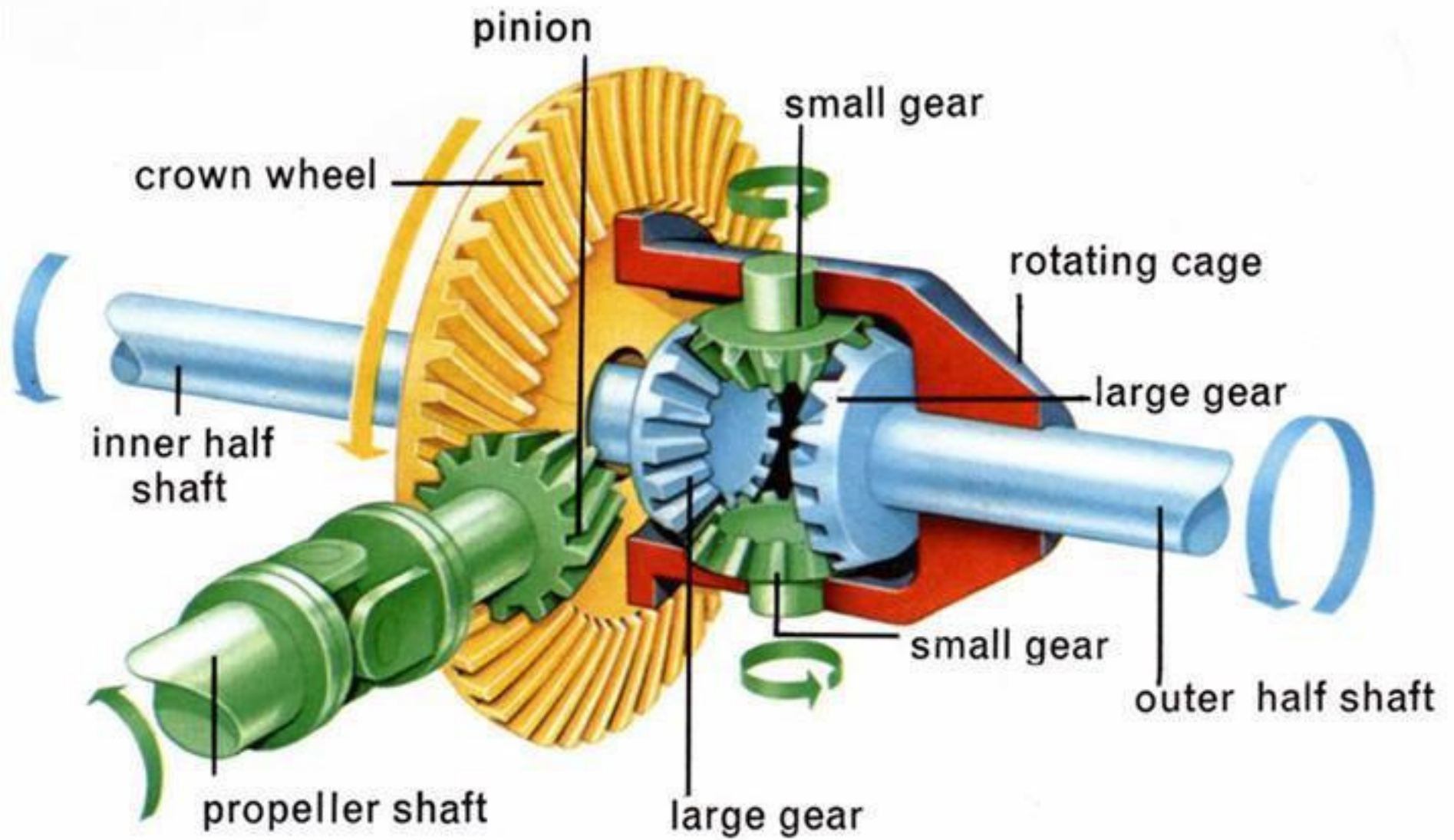
Shaft Generator















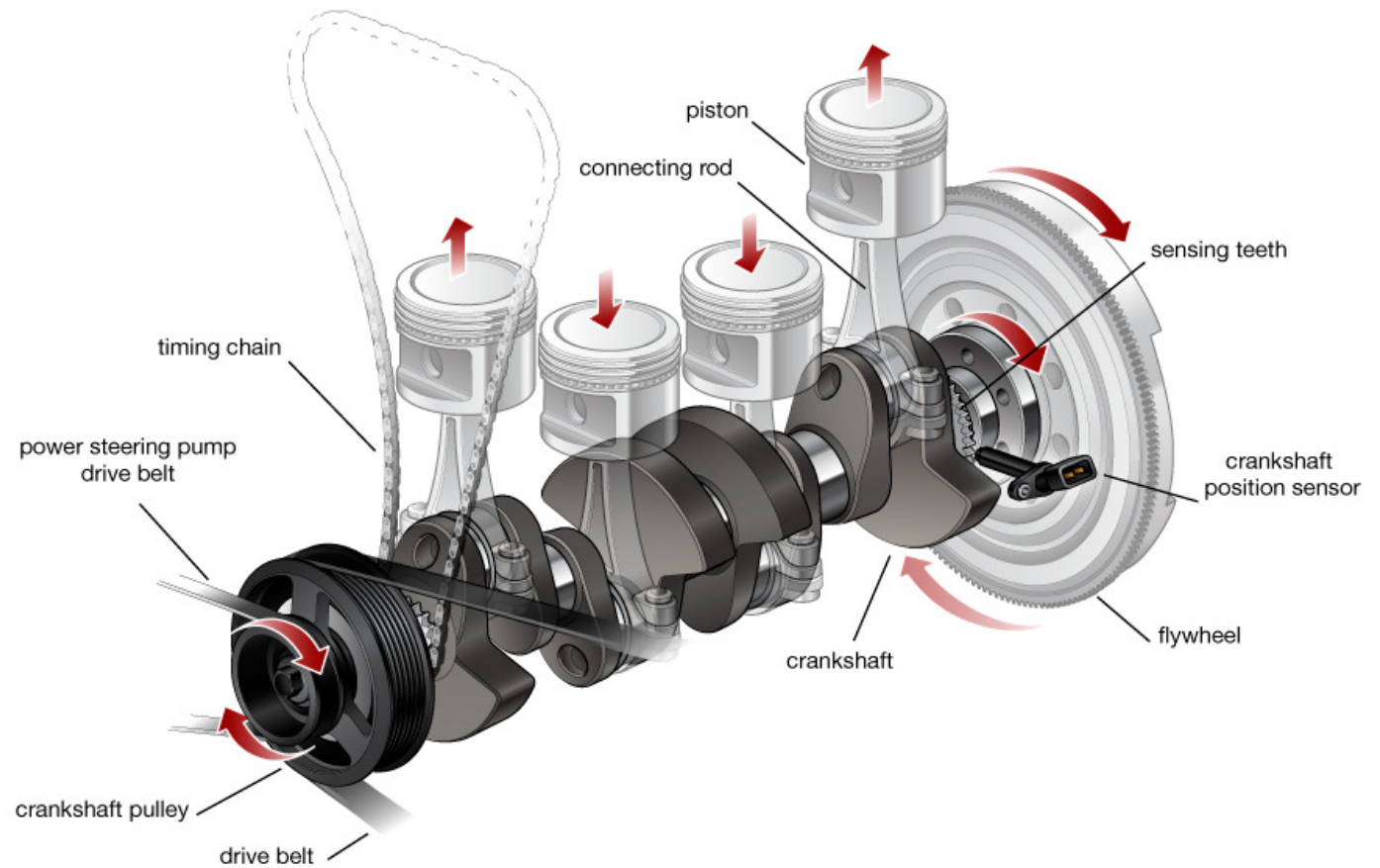
Propeller Shaft

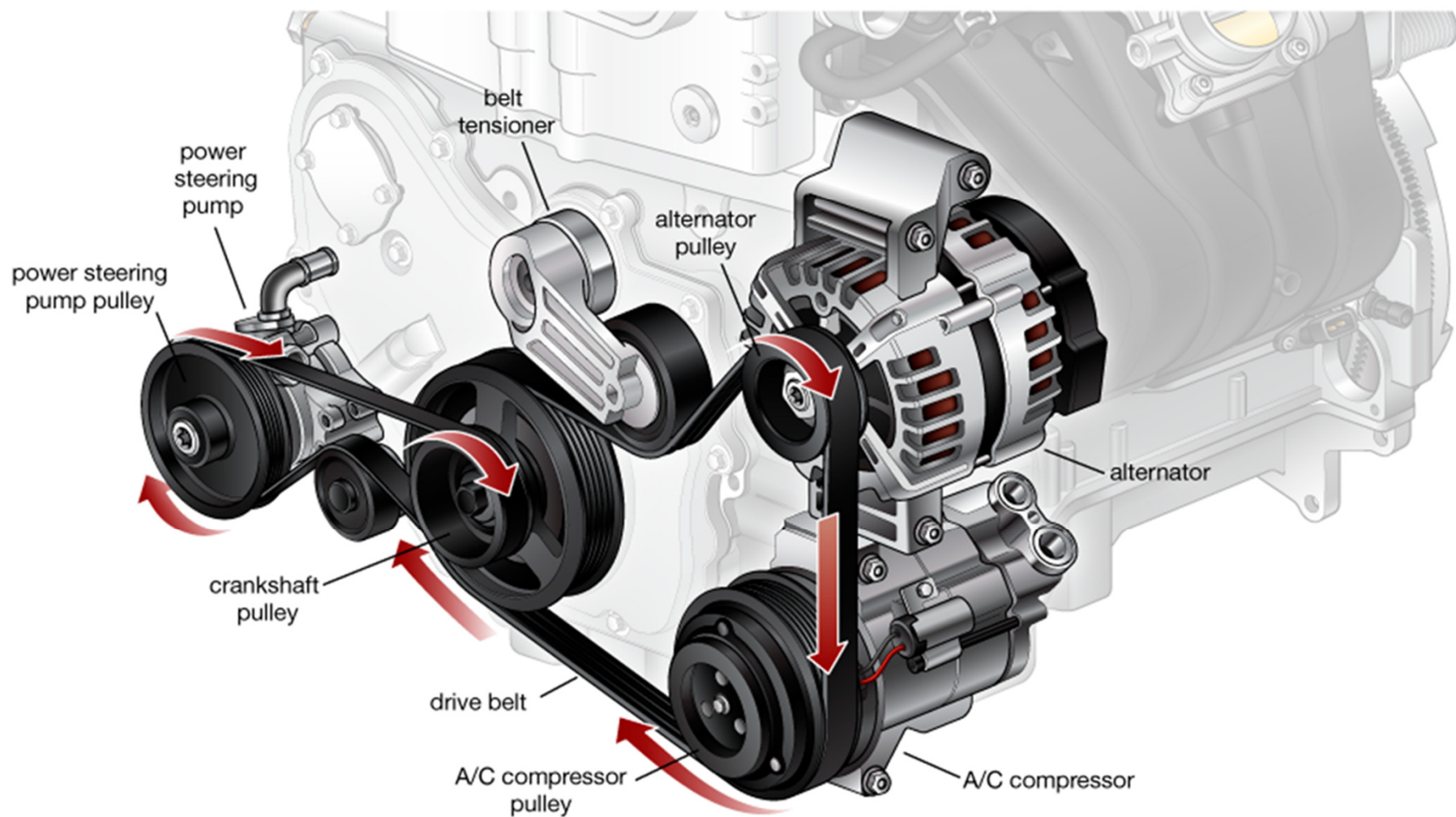
Intermediate Shaft

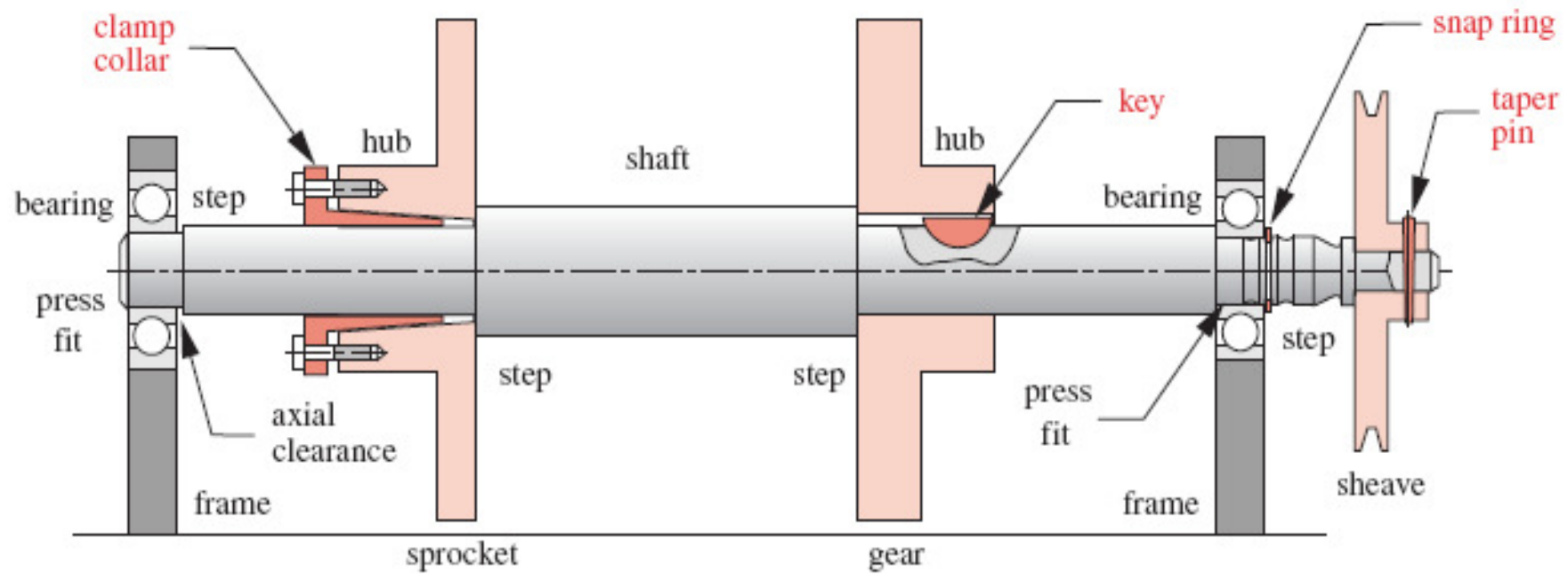




Crank Shaft







Autodesk Inventor – Shaft Wizard

