

Motor Blower Assembly

In this project, you will create the Motor Blower assembly shown in Figure 1. The exploded view of the assembly is shown in Figure 2. The details of the components of the Motor Blower assembly are shown in Figures 3 through 8.

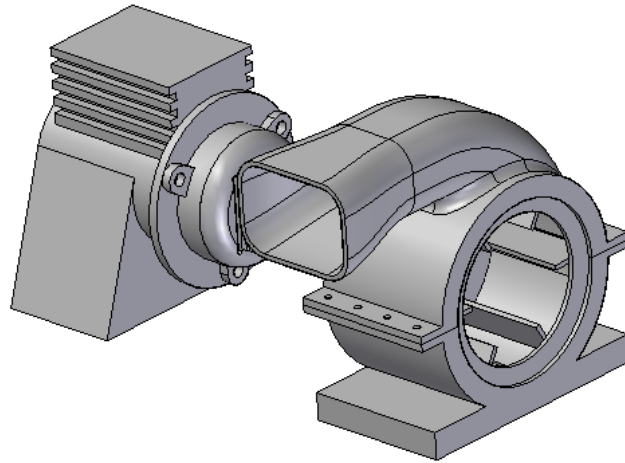


Figure 1 Motor Blower assembly

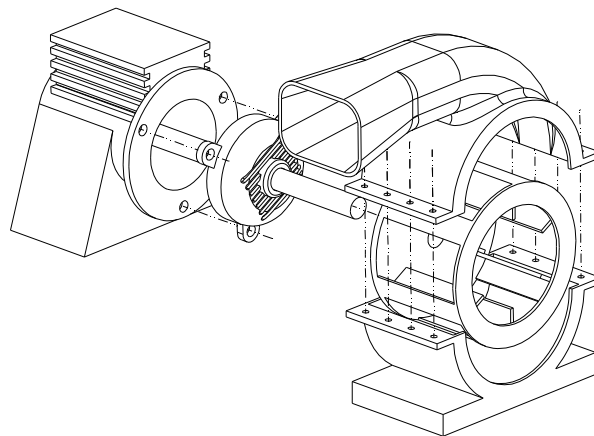


Figure 2 Exploded view of the Motor Blower assembly

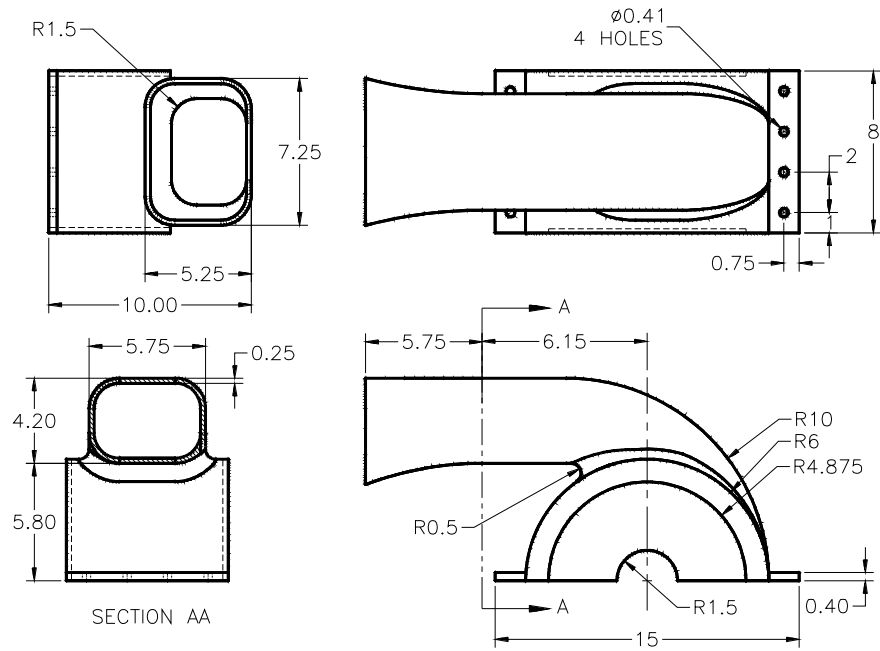


Figure 3 Dimensions of the Upper Housing

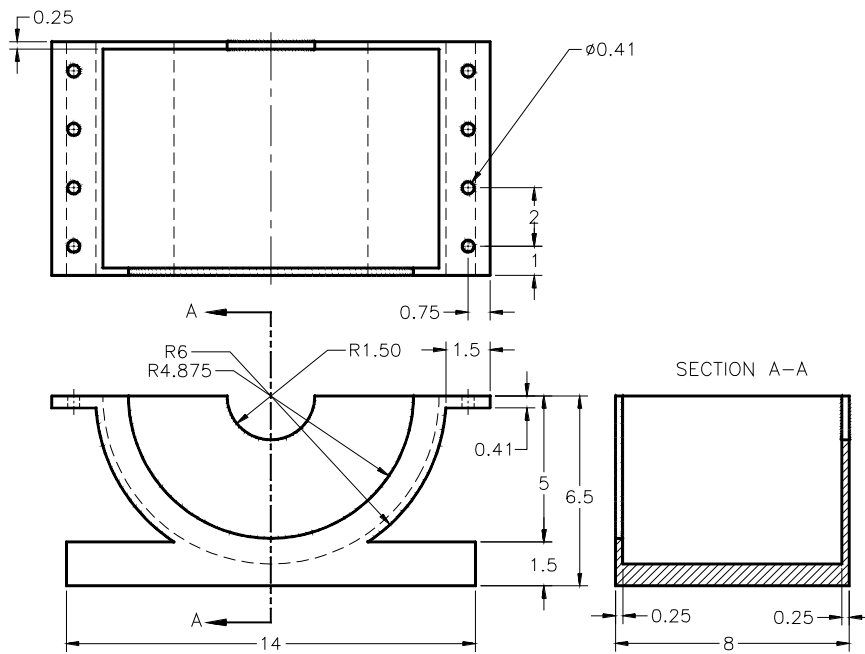


Figure 4 Dimensions of the Lower Housing

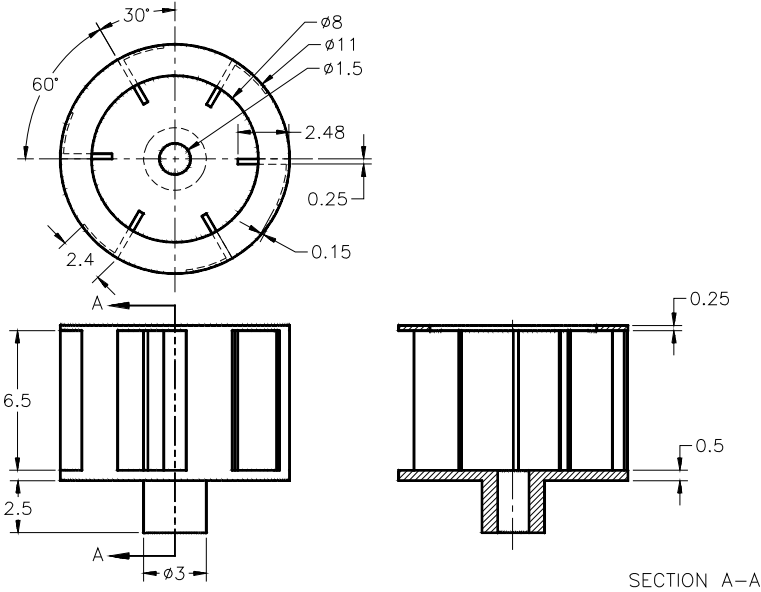


Figure 5 Dimensions of the Blower

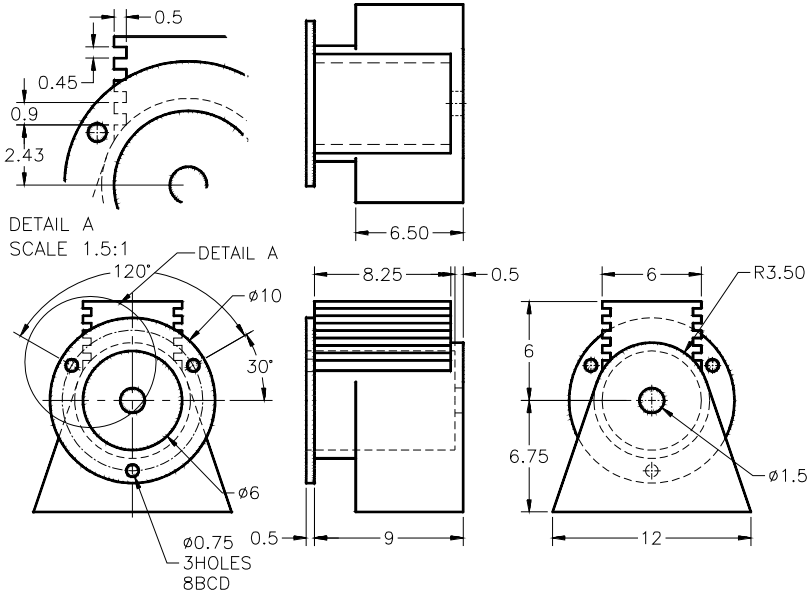


Figure 6 Dimensions of the Motor

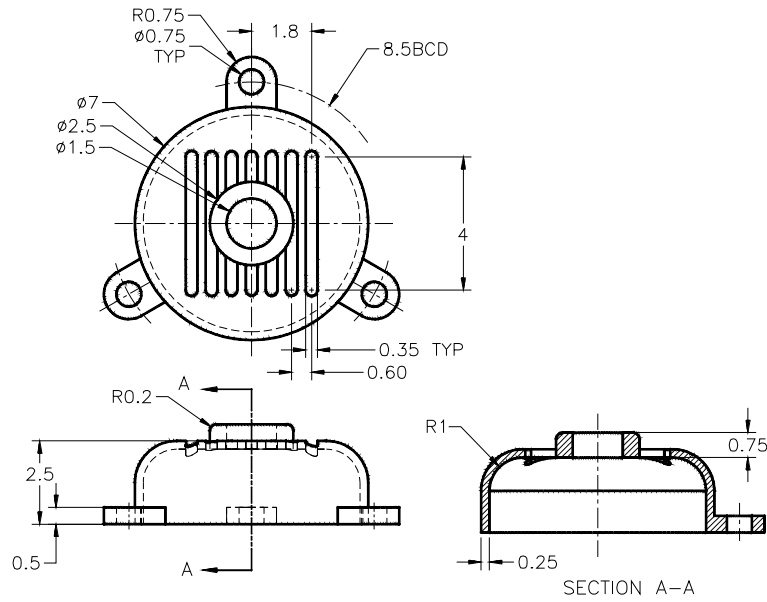


Figure 7 Dimensions of the Cover

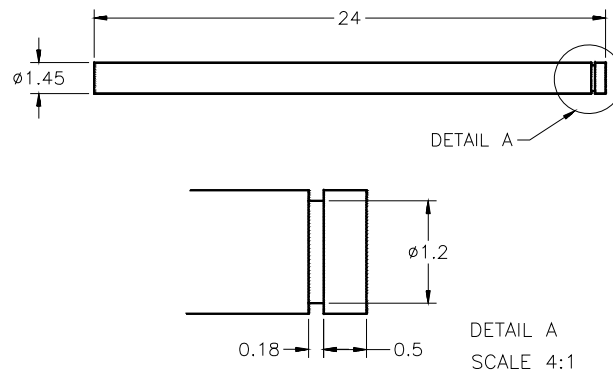


Figure 8 Dimensions of the Shaft