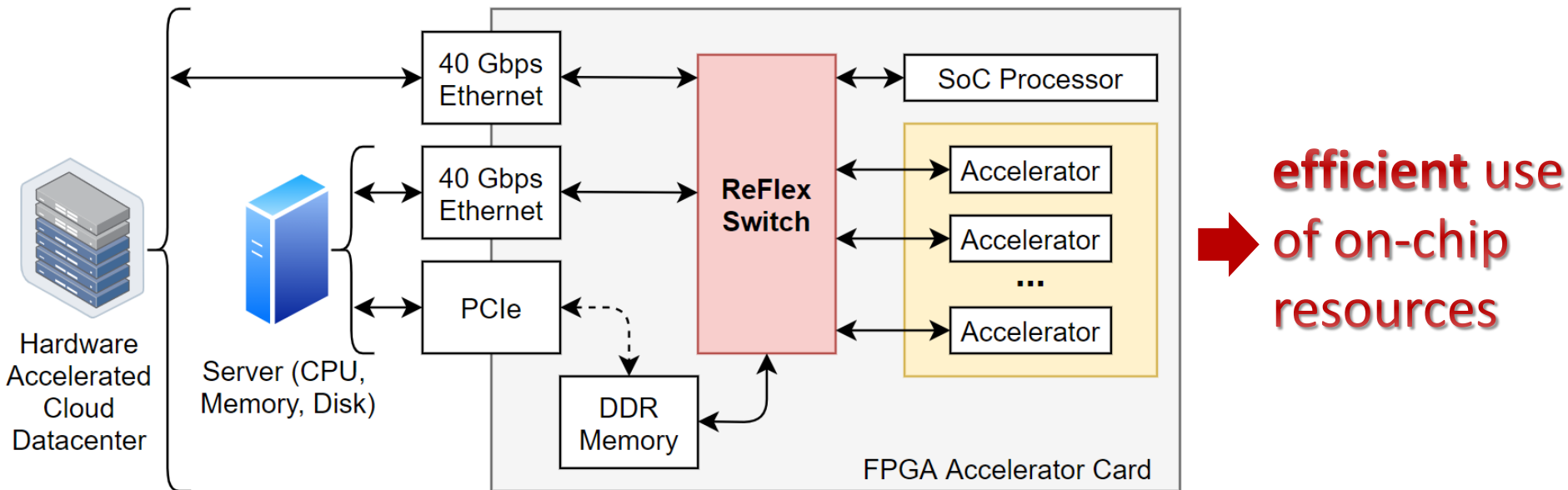


# Fatih Yazıcı: A novel flexible on-chip switch architecture for reconfigurable hardware accelerators (2021)

➔ **interconnecting on-chip components**

➔ **varying Quality of Service needs**



➔ **efficient use of on-chip resources**

➔ **parametric instantiation**