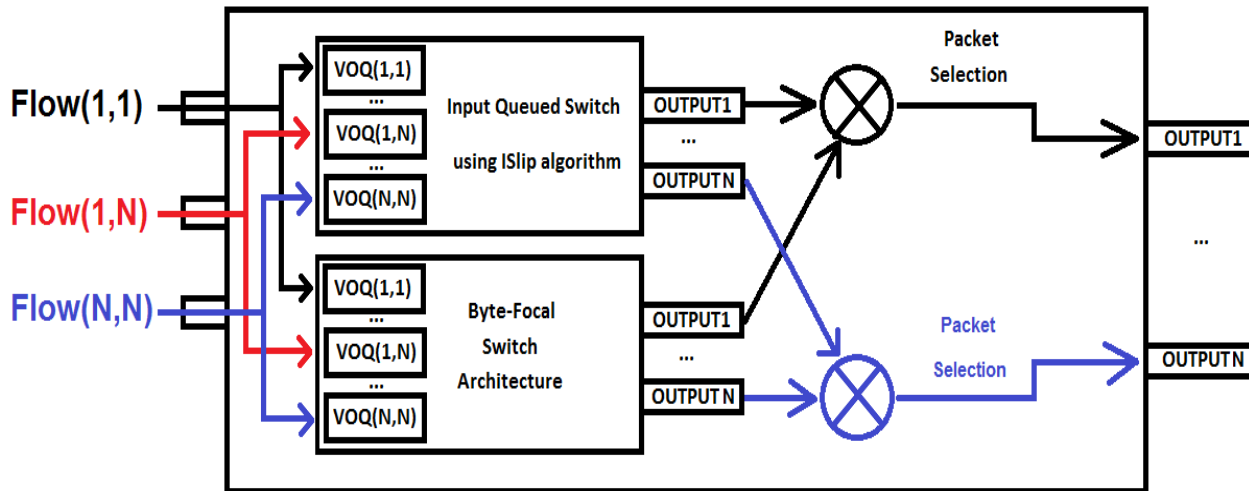


Erdem Eyüp Akbaba: The Development and Hardware Implementation of a High-Speed Adaptable Packet Switch Fabric (2013)

Design on FPGA

iSlip Input Buffered Switch for Lower Input Loads



Byte-Focal Switch for Higher Input Loads

A combined Switch which has lower delays under all loads!