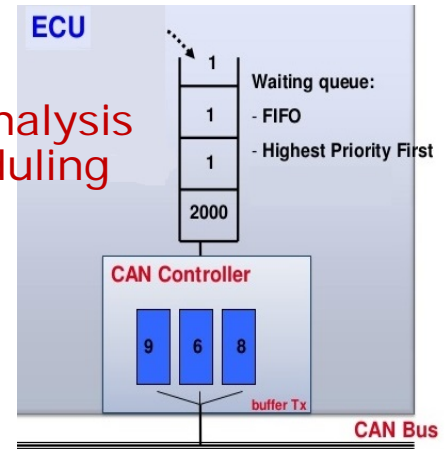
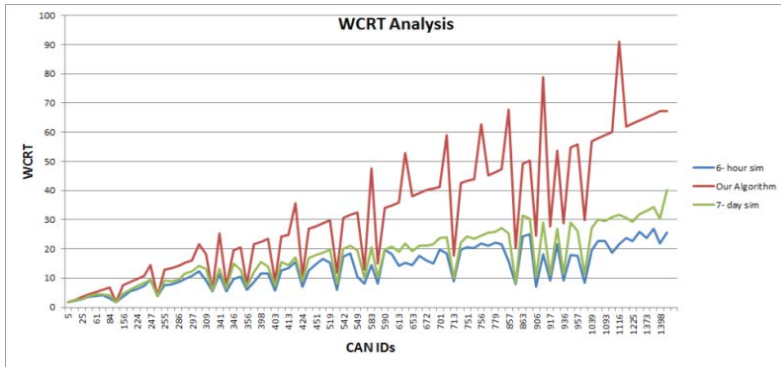
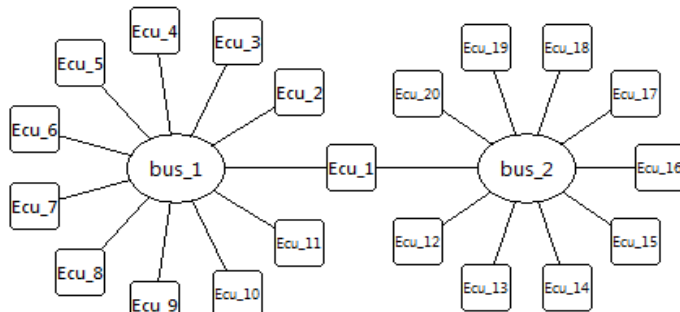


Burak ALKAN: Controller Area Network (CAN) Response Time Analysis and Scheduling For Advanced Topics: Offsets, FIFO Queues and Gateways (2015)

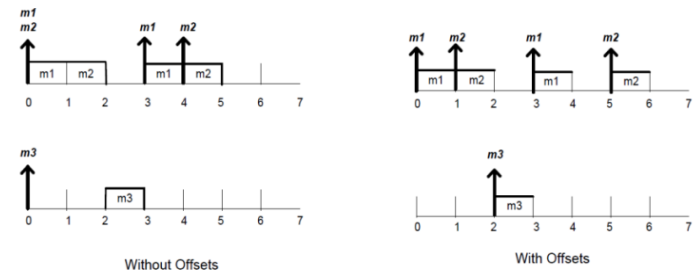


-FIFO WCRT Analysis
-FIFO Scheduling

-Worst Case Response Time (WCRT) Analysis
-CAN ID Assignment (Scheduling)



-Gateway Analysis
-Gateway Scheduling



-Offset WCRT Analysis
-Offset Assignment