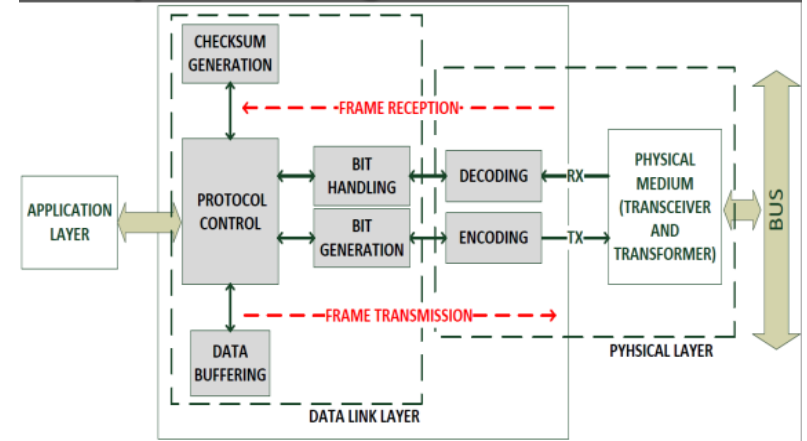
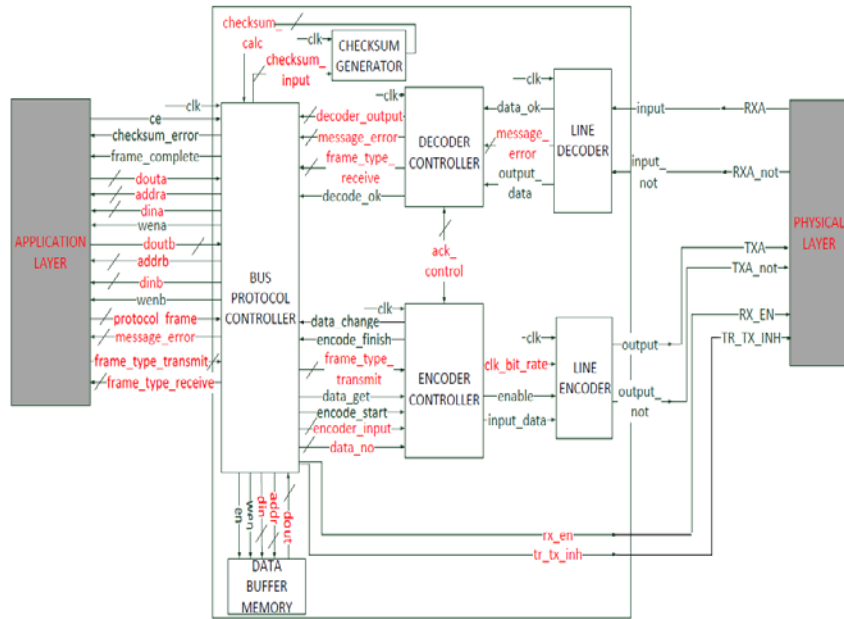


Mehdi DUMAN: UNIBUS: A Universal Hardware Architecture For Serial Bus Interfaces With Real-Time Support (2015)

➤ **UNIBUS (Universal Bus); an abstract, generic block level hardware architecture for implementing serial bus interfaces.**



➤ **Implementation of MIL-STD-1553B, CAN, UART, ARINC-708, ARINC-717 bus protocols**

- **Hardware development time ↓**
- **Workload of the implementation ↓**
- **Hardware complexity of the design ↓**
- **Reliability of the design ↑**
- **Effectiveness of the design ↑**

