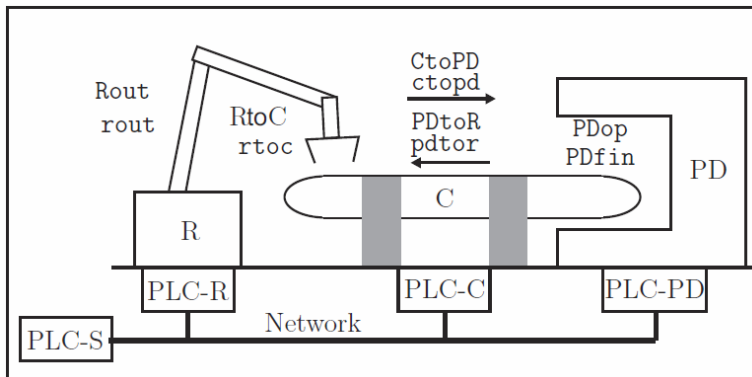
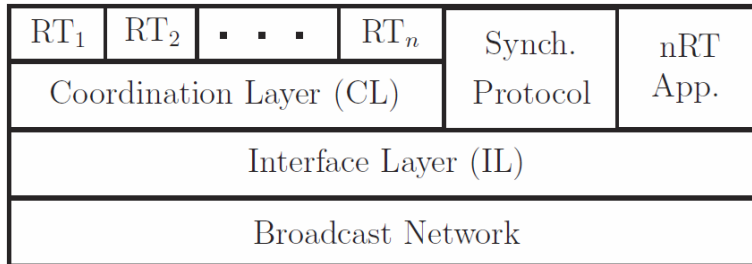


Adem Kaya: IMPLEMENTATION AND EVALUATION OF THE DYNAMIC DISTRIBUTED REAL TIME INDUSTRIAL PROTOCOL (D²RIP) (2013)



Ethernet-based ICN

**Wide-adoption, low cost,
high speed**

**RT and nRT Traffic Support
Dynamic Slot Assignment
Hardware Timestamping**

Message Length: 504 Byte

Slot Size: 250μs

Eff. RT Bandwidth: 16.1 Mbit/s

