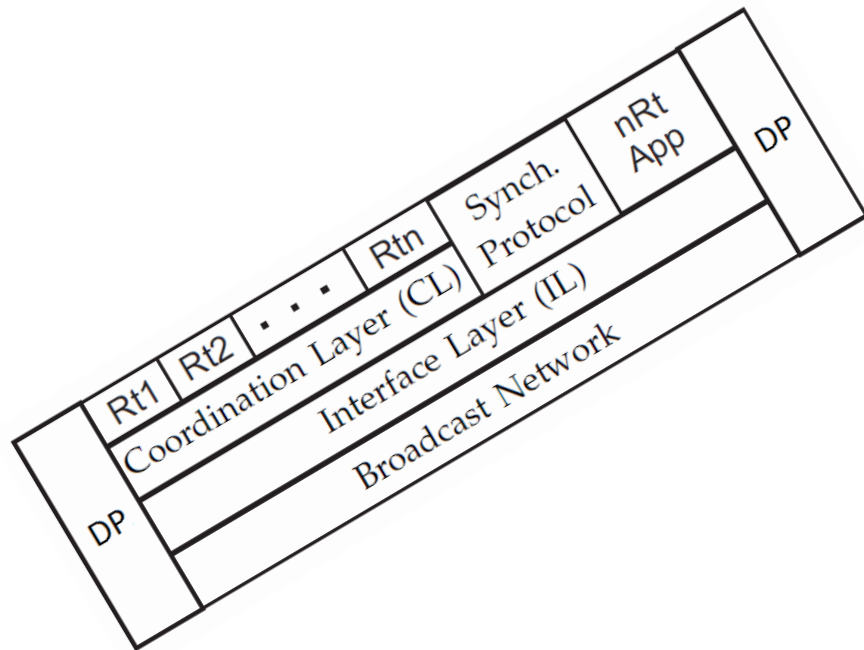


# Bora Kartal: Dependability Design for Distributed Real-Time Systems with Broadcast Communication (2014)



- Distributed RT Systems
- Software Fault Tolerance
- Timed Input Output Automata
- UPPAAL
- Formal Verification
- Distributed Rollback Recovery

→ Connecting TIOA & UPPAAL

